



safety products

ELCI Panel Mount

ELCI Panel Mount

Provides protection for equipment when leakage levels exceed 10mA. Ideal for equipment where mounting applications require panel or bulkhead mounting. Applications include:

- ▶ Testing Equipment
- ▶ Copiers
- ▶ Medical Equipment
- ▶ Electric Control Panels
- ▶ Appliances

Manual reset is required after ELCI trip. Remains reset on power restoration following disruption of primary power.

FEATURES

24220 100-3

- ▶ Volts/Amps: 120V/20A or 240V/16A
- ▶ Trip Level: 10 mA Typical
- ▶ Accepts 250V female quick disconnect terminals

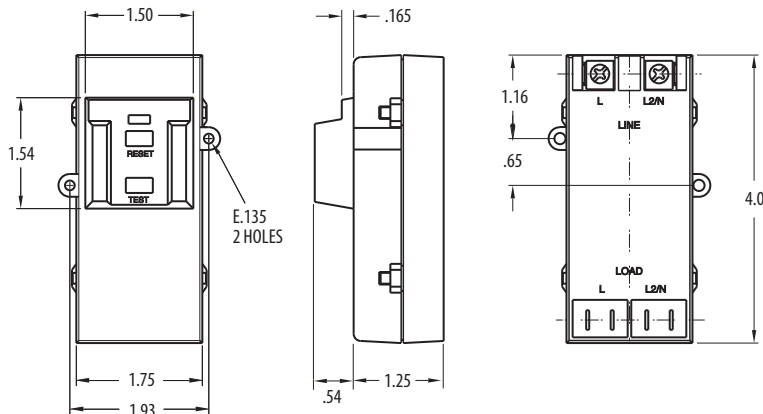


TECHNICAL DATA

Grounded Neutral Voltage Range	85 - 264 VAC
Trip response time for ground fault	less than 25mS
Voltage surge withstand (MOV Protection)	3kv ringwave test and 4kv/2kA surge immunity test
Radio frequency noise susceptibility	operates within normal limits with 0.5 volts injected on power line 150kHz-230mHz
Frequency	50 / 60 Hz
Endurance	5,000 operations minimum
Overload Current	six times rated current
Operating temperature range	+10°C to +55°C
Effect of 10 Amp turn DC Shock on ground fault trip	5% maximum trip level variation
Insulation voltage	1500 VRMS - 1 Min.
Power On indication	mechanical indicator



24220 100-3



Coleman Cable Inc.

800.323.9355 • www.colemancable.com