



safety products

# Heavy Duty Three Wire Extension Cord Set

## Heavy Duty Three Wire Extension Cord Set

Protects all equipment powered by industrial-duty extension cords with highest degree of electrical shock and cord fire prevention. Cord leakage monitoring prevents electrical fires resulting from series or cross line faults. GFCI shock protection for personnel meets OSHA and NEC regulations and protects devices plugged into it.

Applications include:

- ▶ Fans
- ▶ Power Tools
- ▶ Blowers
- ▶ Heaters
- ▶ Saws
- ▶ Basement & Garage Work Sites

Standard length is 25'. To prevent unmonitored equipment startup, manual reset is required after GFCI trip and power outage. Outdoor rated trip unit.

### FEATURES

#### 14880 035-2

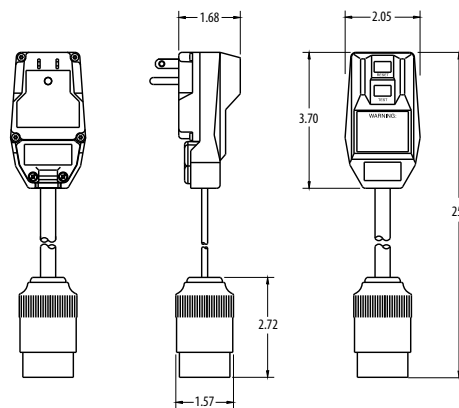
- ▶ Volts/Amps: 125V/15A
- ▶ Cord Gauge: 14/3 AWG.
- ▶ NEMA 5 - 15P&R
- ▶ Ground Fault Trip Level: 4 - 5.2 mA
- ▶ Cord Leakage Trip Level: 2 - 2.6 mA



14880 035-2

### TECHNICAL DATA

<b>Grounded neutral</b>	4 Ohms typical
<b>Trip response time for ground fault, cord leakage, grounded neutral trip</b>	less than 25mS
<b>Voltage surge withstand (MOV Protection)</b>	3kv ringwave test and 4kv/2kA surge immunity test
<b>Radio frequency noise susceptibility</b>	operates within normal limits with 0.5 volts injected on power line 150-230mHz
<b>Frequency</b>	50 / 60 Hz
<b>Endurance</b>	3,000 operations minimum
<b>Overload Current</b>	six times rated current
<b>Operating temperature range</b>	-35°C to 66°C
<b>Effect of 10 Amp turn DC Shock on ground fault trip</b>	5% maximum trip level variation
<b>Insulation voltage</b>	1500VRMS - 1Min.
<b>Power On indication</b>	mechanical indicator



**Coleman Cable Inc.**

800.323.9355 • www.colemancable.com